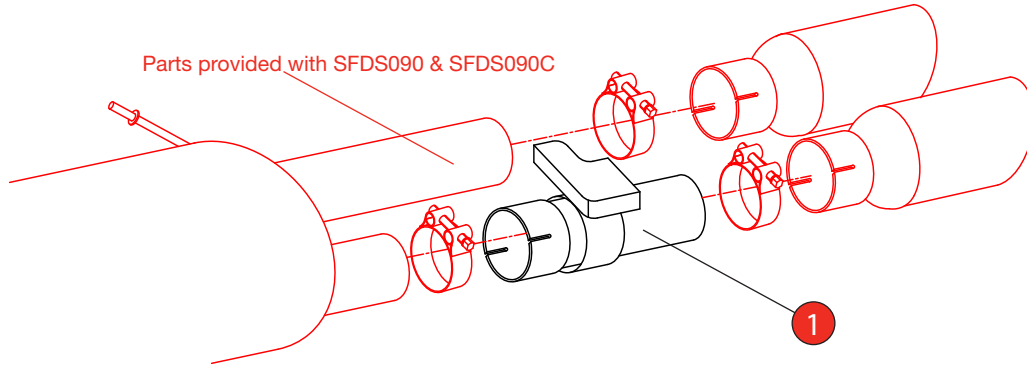


Car	Ford Fiesta ST MK8	Part No.	SFD089VU
Year	2018-Current	Fit Kits	322FK
Notes	Where not supplied use original fittings. Valve requires lubricating every 3-4 months with WD40	Features	Pipe Diameter:- 63.5mm

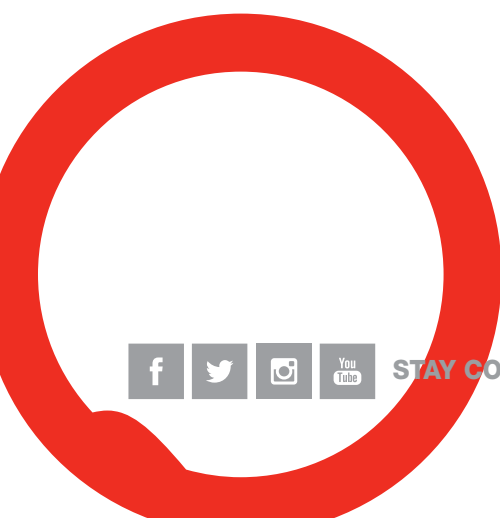
Estimated Fitting Time: 60 Minutes



NO.	PART NO.	DESCRIPTION	QTY
1	1299FD	Valved Trim Connecting Pipe	1
Fit Kit			
2	Z017.12783	Valve fixing bow	1

E-MARK	N/A
DATE	08/07/2019
ISSUE	02
AUTHORISED	D Marshall

NOTE: ENSURE SCORPION SYSTEM IS CLEAR OF MOVING PARTS AND ALL ORIGINAL FUNCTIONS WORK CORRECTLY.



STAY CONNECTED TO RED POWER.

Car	Ford Fiesta ST MK8	Part No.	SFD089VU
Year	2018-Current	Fit Kits	322FK
Notes	Where not supplied use original fittings. Valve requires lubricating every 3-4 months with WD40	Features	Pipe Diameter:- 63.5mm

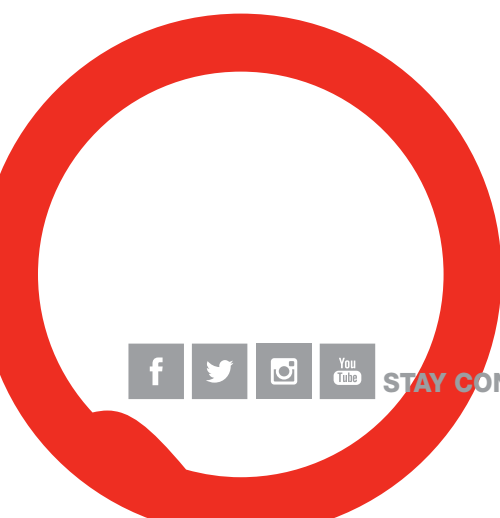
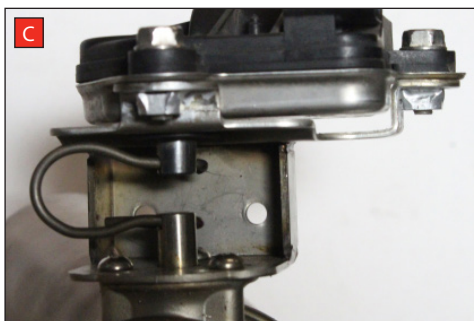
Estimated Fitting Time: 60 Minutes



A) Remove the electronic actuator from the original exhaust.

B) On the scorpion product fit the fixing bow into the valve and use the actuator to secure the bow in place.

C) Use the M6 bolts and washers to fasten the actuator to the valve ensuring the two straights on the fixing bow fit between the grooves on both of the posts.



STAY CONNECTED TO RED POWER.